



In literary terms, an allusion is a reference, a hint. In the Allusion® air bath, you'll discover much more than the mere suggestion of luxury. With clean, contemporary, minimalist lines, the Allusion® family of products makes a striking statement — one that speaks to more than a hint of style.

FEATURES:

- Exclusive 360° Balanced Air Flow™ system
- 800 watt heated air blower
- Thermal lumbar comfort™ (TLC)
- Safely use salts and aromatic oils
- Drain-assist purge system
- All-in-one electronic control panel
- PrO<sub>3</sub>™ Ozone Sanitation System standard

*Detail: The Allusion® Pure Air® II bath's contemporary form is pure sculpture. The exclusive Jacuzzi® TLC system delivers pure rejuvenation.*

**Allusion® 6636**  
**PURE AIR® II BATH**

MODEL NUMBER:  
Y800

EXTERIOR DIMENSIONS:  
66" long x 36" wide x  
26" high

OPERATING GALLONS:  
57 gallons



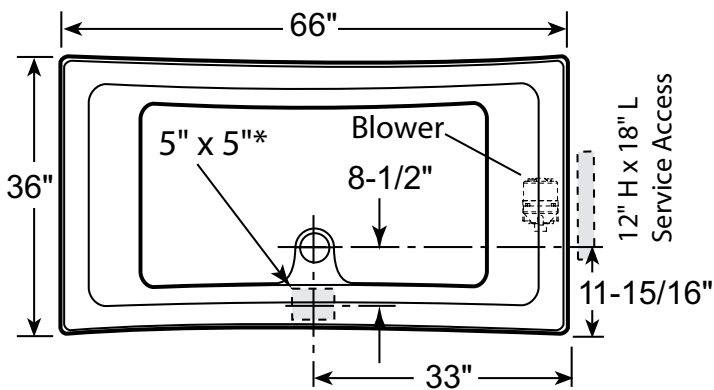


## Allusion® 6636 PURE AIR® II BATH

**Y800**

Allusion® 6636 Pure Air® II Bath, Right Hand  
(Includes a required drain/actuator kit in chrome)

- Left and Right Drain Location
- Accessories / Hardware:  
4 X HTC Jet Rings Kit: #D095
- Trim Kit Finishes Available:  
(827) – Chrome  
(898) – Brushed Chrome  
(815) – Satin Nickel  
(829) – Bright Brass  
(805) – Platinum  
(826) – Brushed Nickel  
(845) – Oil Rubbed Bronze



**Product Shown: Allusion® 6636 Pure Air® II Bath Right Hand (Y800) Shown.**

*\* Measurements inside unit represent cutout in floor to allow for drain/overflow.*

*Minimum Service Access dimensions given.*

### INSTALLATION NOTES

Refer to installation instructions included with fixture before beginning installation. Please confirm product availability and specifications before commencing with any installation work.

PRODUCT SPECIFICATIONS AND AVAILABILITY ARE SUBJECT TO CHANGE WITHOUT NOTICE.

### Technical Specifications

#### DIMENSIONS

66" L x 36" W x 26" H  
(1829 mm) L x (914 mm) W x (660 mm) H

#### DRAIN/OVERFLOW

A: 17-3/8" (441 mm) B: 11-15/16" (210 mm)

#### CUTOUT

Template provided Part Number BY20000

#### TOTAL WEIGHT

681 lb (309 kg) / 42 lb/sq. ft. (206 kg/m<sup>2</sup>)

#### OPERATING GALLONAGE

57 U.S. Gal. (216 Liters)  
Min. 40 U.S. Gal. (151 Liters)  
Max. 75 U.S. Gal. (284 liters)

#### PRODUCT WEIGHT

124 lb (56 kg)

#### SKIRT MOUNTING

Not Available

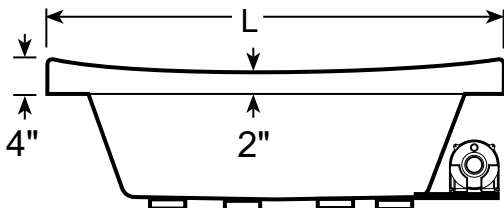
#### ELECTRICAL SPECIFICATIONS

**Requires a dedicated GFCI protected separate circuit.**

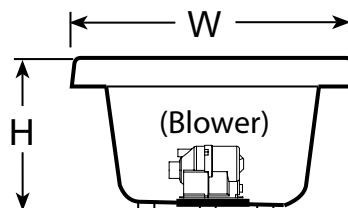
Blower: 120 VAC, 15 AMP, 60 Hz.

#### HEATER

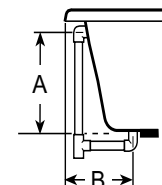
No water heater is available on this unit. Blower has integral air heater.



**SIDE VIEW**



**END VIEW**



**DRAIN/OVERFLOW**